

Audiometric Examination Suites



FEATURES

- Acoustically engineered independent ventilation mounted external to wall or roof panels
- Jack panel with cable pass-thru
- Recessed incandescent lighting
- Acoustic Door with cam-lift hinges, 32" clear opening
- Window, double glazed, laminated, safety glass, 30" by 24"
- Electrical service via a 20 foot grounded power cord
- Isolated acoustical floor in both Control Room and Exam Room

MODELS

RS-140 Series Single Wall Exam Suites

RS-250 Series Single Wall Control/Double Wall Exam Suites

Several standard sizes are available. **Custom sizes** can be manufactured for environments with special space requirements. A number of options are available to further customize your booth.

Acoustic Systems' audiometric exam suites are constructed with our premium, four-inch thick wall panels to provide impressive isolation, as well as several other features considered optional by other manufacturers.

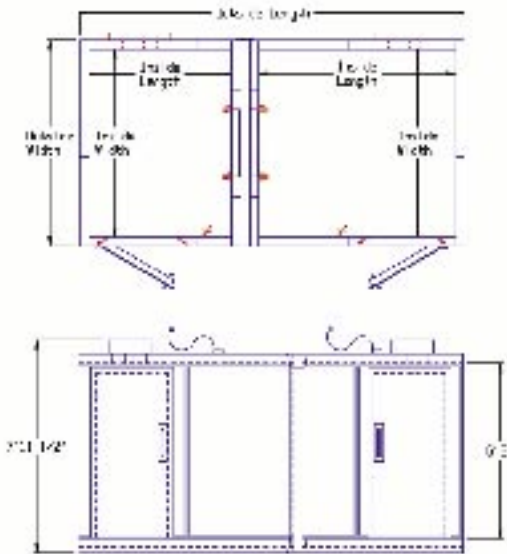
A network of professional representatives will assist with the selection, design, and installation of the audiometric booth. They have been factory trained regarding specifications, product performance, installation, and can offer selected products of complete the testing equipment requirements.



Acoustic Systems manufactures a wide range of modular acoustic enclosures for audiology programs. The enclosures offer varying levels of acoustic performance, variations in floor plans, and numerous appearance options. Acoustic Systems maintains a NVLAP accredited laboratory (NVLAP Lab Code 100286-0) for constant product research and performance assurance.

Audiometric Examination Suites

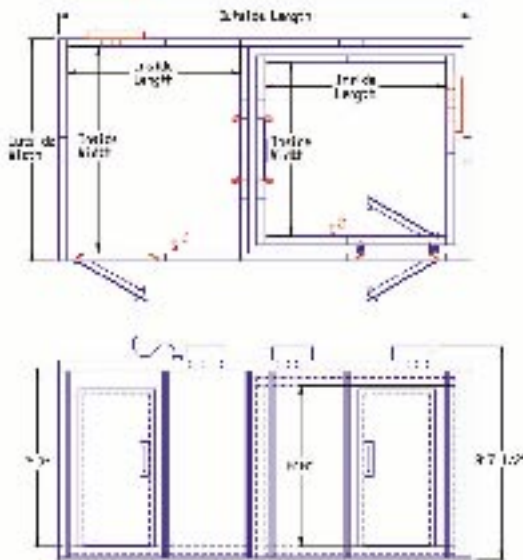
Single Wall Suite



MODEL	DIMENSIONS		WEIGHT (LBS)
	Control Exam	Inside (W x L) Outside (W x L)	
RS-142	4'0" x 6'4" 6'0" x 6'4"	11'8" x 7'0"	6,385
RS-142L	5'0" x 6'4" 6'0" x 6'4"	12'8" x 7'0"	6,590
RS-143	5'4" x 7'0" 7'4" x 7'0"	14'4" x 7'8"	7,920
RS-144	7'0" x 8'4" 9'0" x 8'4"	17'8" x 9'0"	10,500
RS-145	8'0" x 9'4" 10'0" x 9'4"	19'8" x 10'0"	11,940
RS-146	4'0" x 6'4" 4'0" x 6'4"	9'8" x 7'0"	5,220
RS-147	5'2" x 8'0" 5'2" x 8'0"	12'0" x 8'8"	7,090
RS-148	5'2" x 8'0" 10'0" x 8'0"	16'10" x 8'8"	10,280

Inside Height - 6'6" • Outside Height - 7'11 1/2"

Single Wall Control/Double Wall Exam Suite



MODEL	DIMENSIONS		WEIGHT (LBS)
	Control Exam	Inside (W x L) Outside (W x L)	
RS-252	6'0" x 7'4" 6'4" x 6'0"	14'8" x 8'0"	10,350
RS-253	7'0" x 8'4" 7'4" x 7'0"	16'8" x 9'0"	13,500
RS-254	7'8" x 9'8" 9'0" x 8'4"	19'0" x 10'4"	14,340
RS-255	8'8" x 10'8" 10'0" x 9'4"	21'0" x 11'4"	17,340
RS-256	4'0" x 7'8" 4'0" x 6'4"	10'4" x 8'4"	8,350
RS-257	5'8" x 9'4" 5'2" x 8'0"	13'2" x 10'0"	10,600
RS-258	5'8" x 11'4" 8'0" x 10'0"	16'0" x 12'0"	14,900

Inside Height: Control Room 7'2" • Exam Room - 6'6"
Outside Height: 8'7 1/2"

Acoustical Performance

Sound Absorption

Center Frequency Hz	125	250	500	1000	2000	4000	NRC
Absorption Coefficient	0.79	1.08	1.10	1.02	1.04	1.00	1.05

Sound absorption coefficients measured in accordance with ASTM C423-84a.

Noise Reduction

Center Frequency Hz	125	250	500	1000	2000	4000	8000
Single Wall Room	27	37	44	53	58	60	62
Double Wall Room	44	62	81	93	100	100	95

Noise reduction from outside to inside of a properly installed booth in accordance with ASTM E-596